

Congratulations!

You have just purchased a very fine piece of professional audio equipment. We suggest that you take a minute to fill out the enclosed warranty card and mail it in so we can keep you abreast of any developments or modifications that may apply to your GP/BP 1000. We also hope you take the time to read this manual, so that your new GP/BP 1000 can become an effective and beneficial tool.

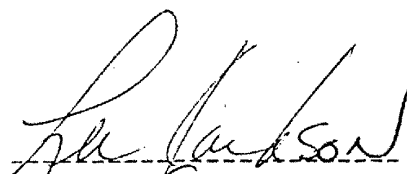
The GP and BP 1000 all tube pre-amps have been designed to give Guitar and Bass players a wider selection of sound and the complete tonal spectrum that can only be achieved through the use of tubes. You'll find enhanced gain and tone flexibility along with better harmonic content and improved distortion.

U P D A T E 9/1/87

Footswitching Distortion;

Now By using our Perfect Connection (FS-1000) footswitch or a standard on/off footswitch, you can preset the amount and volume of DISTORTION on your GP-1000.

Thank you for your patronage, We will be keeping you informed on any future updates.



Lee Jackson
President

Perfect Connection™

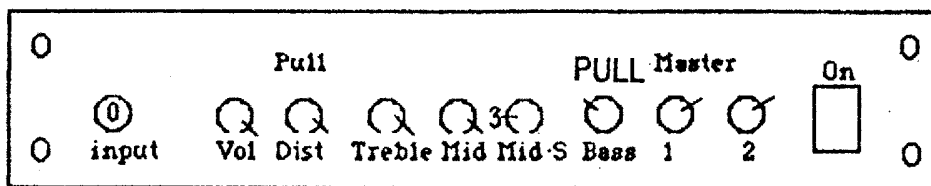
GP 1000 BP 1000

- INPUT:** Instrument (priority input)
- PRE-AMP:** Controls the input gain or sensitivity of the Pre-Amp.
- DISTORTION:** Adjusts the amount of distortion or gain you want to add to the original sound.
- TREBLE:** Controls treble response; pull to add brilliance and sharpness to the notes.
- MIDDLE:** Controls middle range response.
- MIDDLE SHIFT:** This control has five preset positions. This allows you to select the right overall frequency for your guitar or bass. Position 1 will enhance high mids, while position 5 enhances low mids. Positions 1,2,3 will make a thick sounding guitar or pick-up sound thinner. Positions 4 and 5 will make a thin sounding guitar or pick-up sound thicker.
- BASS:** Controls bass response; pull to add more low end.
- MASTER 1 and MASTER 2:** Both are master outputs. Use either or both to drive and power amps or other amplifiers. Do not use like a standard master volume. Think of it as a line amp, driving the overall volume (signal) to your amp or power amp.
- ON BACK-**
AUX INPUT: Additional instrument input. If the front input is plugged in aux input will not work.
- MASTER1 and MASTER 2:** Outputs for front controls. Master 2 has extended low end range.

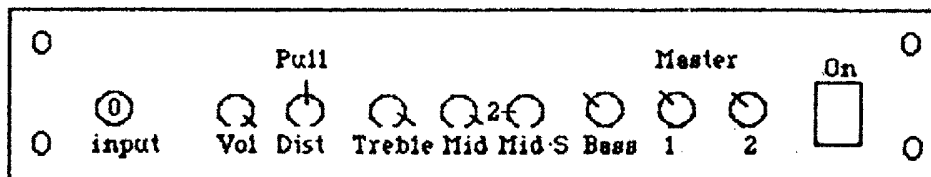
Perfect Connection™ GP1000

Sample Settings

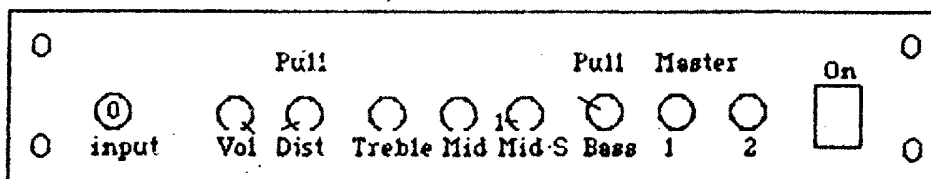
HEAVY DISTORTION Built To Blast!



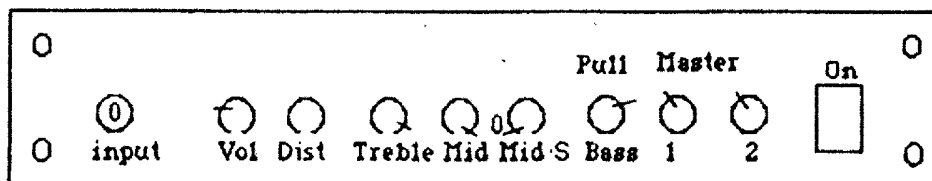
SMOOTH Singing Distortion



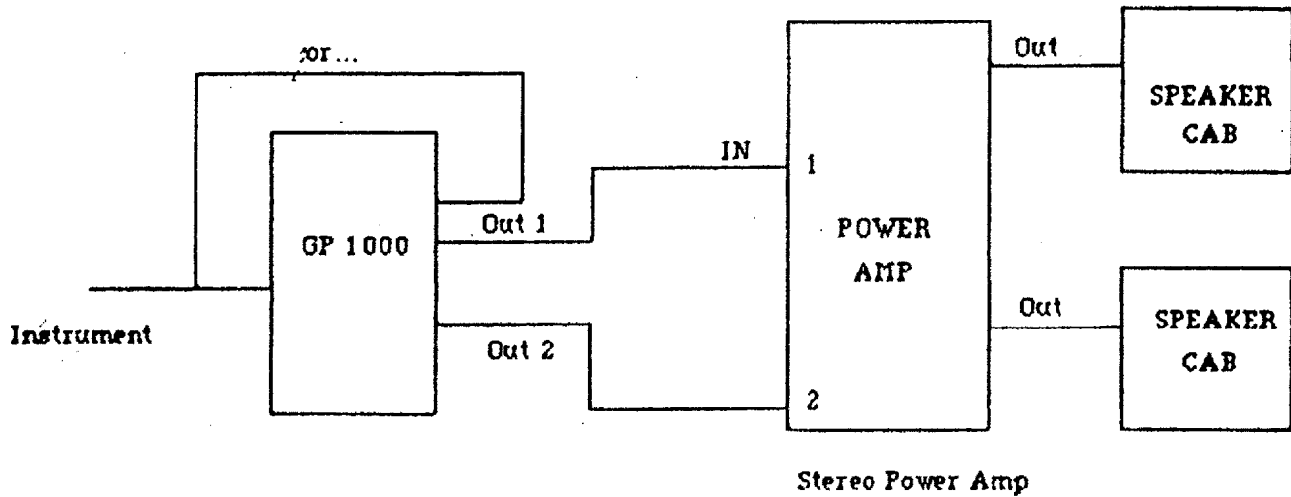
EDGE All Settings should be adjusted to guitar and pickup



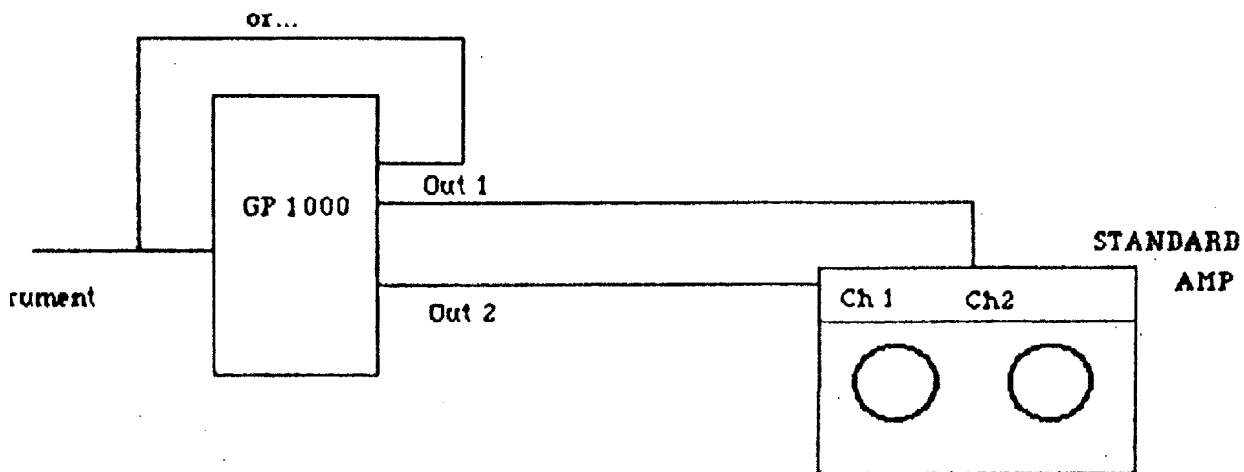
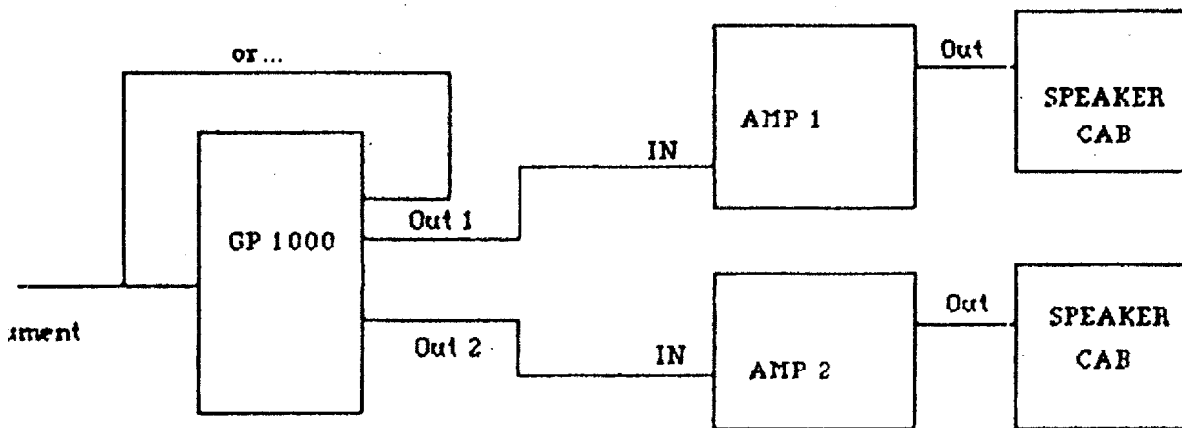
SPARKLING CLEAN Set volume control so that instrument does not distort. Set Masters 1&2 to overall volume.

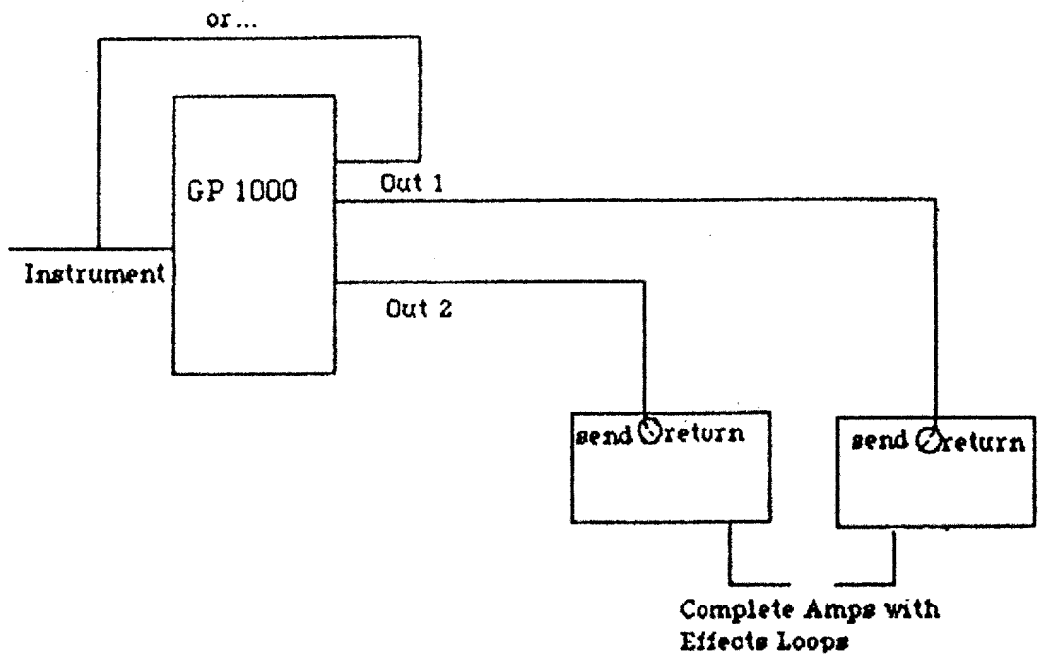


APPLICATIONS FOR THE PERFECT CONNECTION™ GP1000

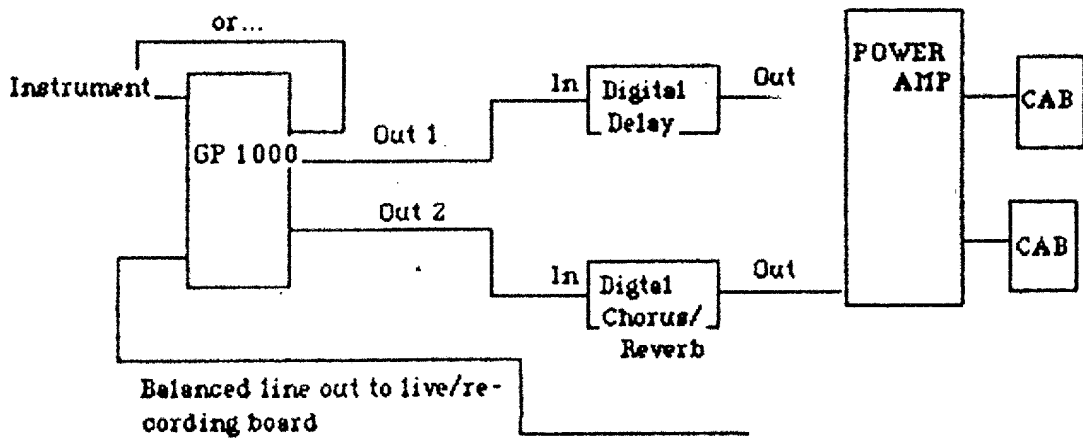


Stereo Power Amp

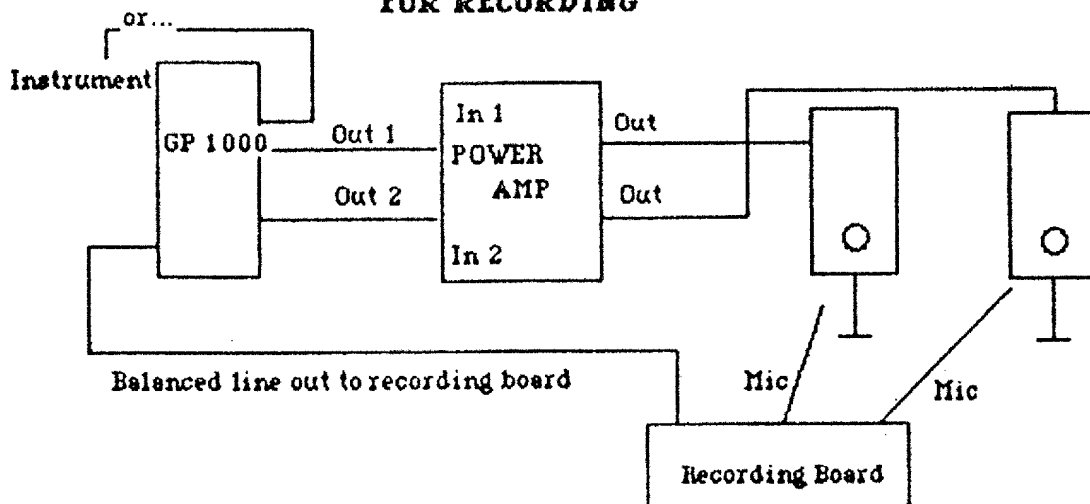




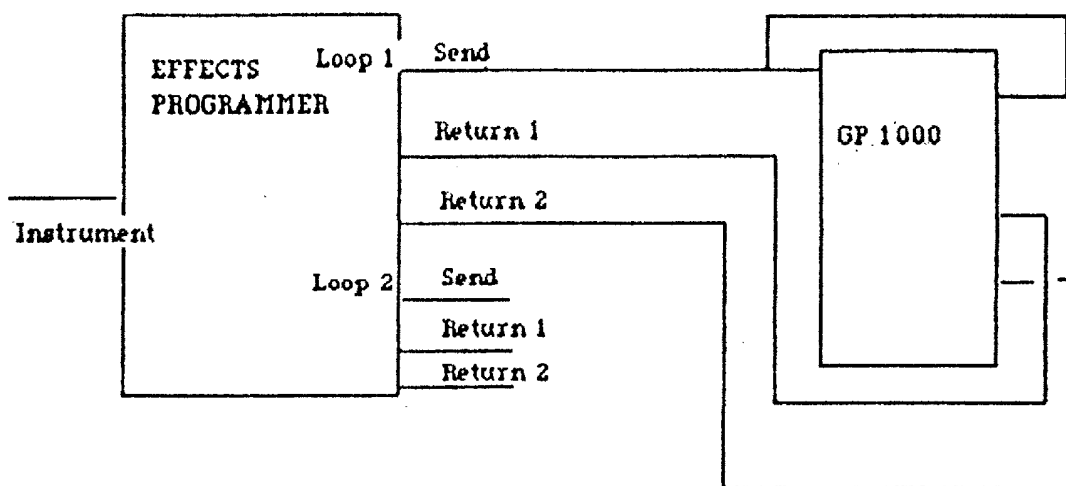
FOR LIVE APPLICATIONS



FOR RECORDING



FOR USE WITH EFFECTS PROGRAMMER



Use only one output if programmer is mono board

LIMITED WARRANTY

PERFECT CONNECTION™ warrants this product to be free of defects in material and workmanship under normal use for a period of (1) one year. The term of this warranty begins on the date of sale to the purchaser. Unit must be returned for warranty repair to PERFECT CONNECTION™. Unit will be repaired or replaced at manufacturer's option, free of charge. This warranty is void if factory determines defect to be result of abuse, neglect, alteration or attempted repair by unauthorized personnel.

PERFECT CONNECTION™ assumes no responsibility for loss or damage, direct or consequential, that may result from this product failing to perform at anytime. All units that are returned to PERFECT CONNECTION™ must be prepaid, insured and properly packaged. PERFECT CONNECTION™ reserves the right to update any unit returned for repair. PERFECT CONNECTION™ reserves the right to change or improve designs at any time without prior notice.

WARRANTY REGISTRATION

NAME _____

ADDRESS _____

STATE _____ ZIP _____

MODEL PURCHASED _____

SERIAL NUMBER _____

PURCHASED FROM _____

CITY _____ STATE _____

DATE OF PURCHASE _____

Please complete this card and send it to:

PERFECT CONNECTION

7227 Canby Ave.

Reseda, CA 91335

WARRANTY DEPT.